

# SLS-PS20W



[www.senslights.com](http://www.senslights.com)  
[sales@senslights.com](mailto:sales@senslights.com)

# SLS-PS20W



*No Wiring .... No electricity!*

## SensLights intelligent solar street light

### PROGRAMMABLE

SensLights Smart solar controller built-in, power brightness and lighting time are adjustment.

### EXTERNAL SOLAR PANEL

Solar panel separated from light allows to increase power to meet the solar radiations in different latitude and longitude.

Max 200W solar panel is allowed for 50W LED with 6200lm output.



### CONNECTION

MC4 male & female plugs directly to 18V solar panel. quick and easy for connection. 2.5mm<sup>2</sup> power cord for less voltage drop.

MC4 Connectors

### COMPACT SYSTEM

Battery and solar controller, sensor are built-inside of light, only need to be connected to 18V system, NO more other operation, easy, simple and quick installation.

## Advanced SensLights intelligent solar street light

Solar LED lights have photovoltaic panels mounted on the structure.

Each street light has its own photovoltaic panels and is independent of the other lamps.

### Advantages

- 1.Solar street lights are independent of the utility grid. Hence, the operation costs are minimized.
- 2.Solar street lights require much less maintenance compared to conventional street lights.
- 3.Since external wires are eliminated, risk of accidents is minimized.

The solar panel should be always face to sun properly in order to get the highest using efficiency as much as possible, All in one solar street light cannot be adjusted, for the solar panel is fixed.

SensLights solar light is perfect to solve this problem. Easy for customers' installation.



# SLS-PS20W



*No Wiring .... No electricity!*

Advanced intelligent solar street light

### Features:

- \* Unicase Design , Never Break Up
- \* Aluminum body , Never Fade
- \* Easy Installation

### Technology Parameters :

**Solar Panel** : 60W 18v Mono, 19% efficiency ,

**Battery** : Lithium Battery 312 WH ,

Charging time:6-8hrs (1000w/m<sup>2</sup>)

**Light Source** : Bridgelux **COB** LEDs 72pcs,  
6000-7000LM ,

Color Temperature : 6000-6500K

CRI >90

Luminous flux: 2800 ~ 3000lm

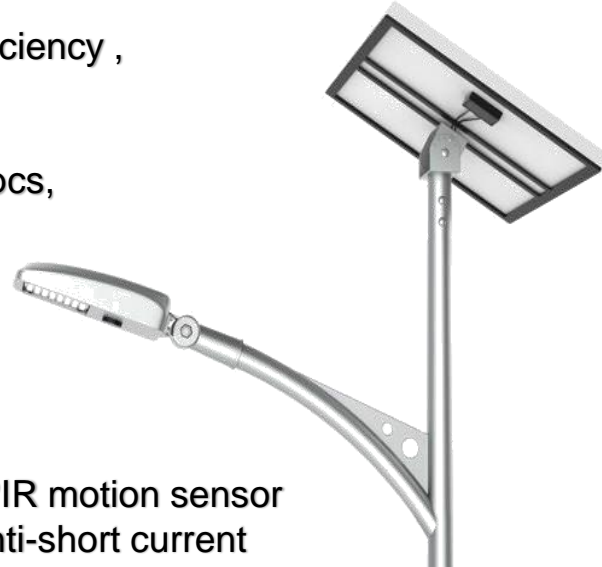
Charging mode: MPPT

Beam angle: 140\*70degree

**Contoller**: Timer Control+Light Contol+PIR motion sensor

Anti-over discharge , anti-over charge , anti-short current

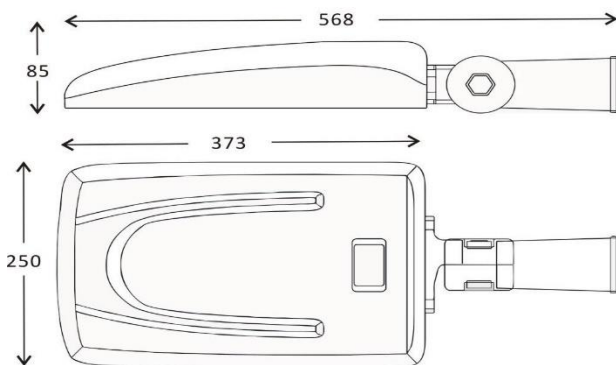
Protect Level: IP65



**Work Temperature:** -20°C-65°C

**Height** : 3-6Meters

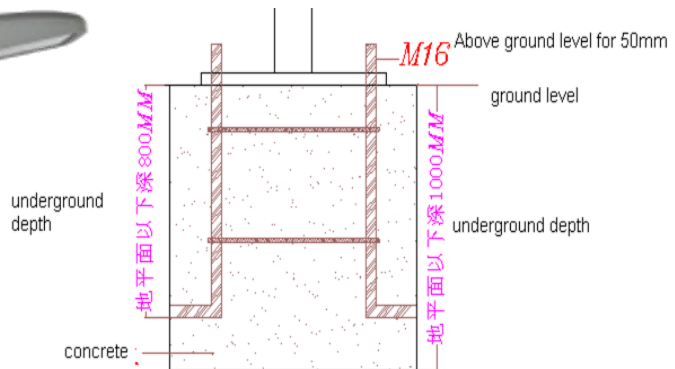
**Product Material:** Aluminum Alloy+Tempered Glass



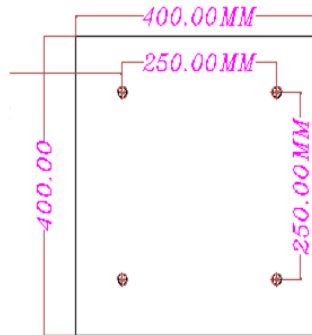
*No Wiring .... No electricity!*

## MODERN DESIGN INTEGRATED SOLAR LED STREET LIGHT

### Recommended Ground Bamboo Cage Spec.



The center distance of the stud is based on the center hole distance on the pole base



5-8M Installation Height Ground bamboo cage Sepc.  
The diagram only for reference , final base on the actual geological environment and requirements

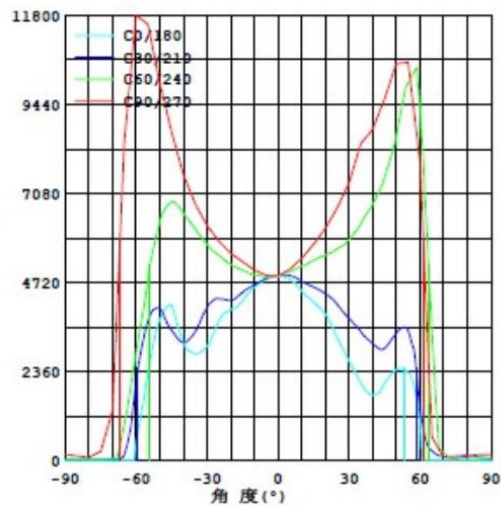
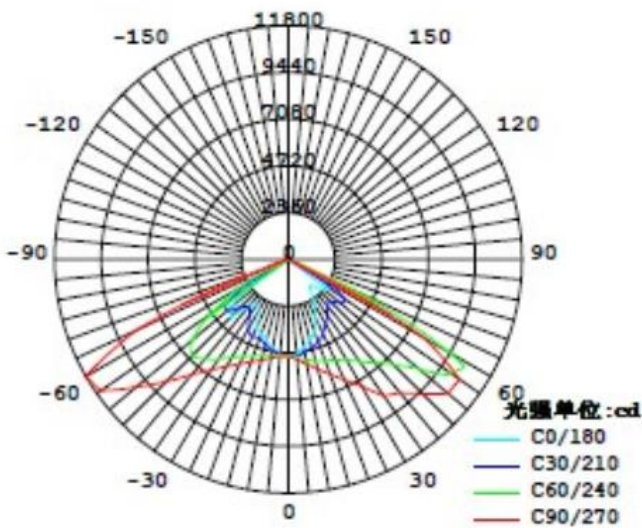




*No Wiring .... No electricity!*

modern design integrated solar led street light

Multitasking Corporation test report



# SLS-PS20W



*No Wiring .... No electricity!*



- (1) Solar Panel
- (2) Bracket
- (3) Screws on spigot
- (4) Spigot
- (5) Pole Top
- (6) Pole Support
- (7) MC4 Connectors
- (8) Light bracket
- (9) Light head
- (10) Plate

**Accessories of complete system (except the pole)**



**4**  
Solar Light Head  
with MC4 plugs

**5**  
Screws

# SLS-PS20W



*No Wiring .... No electricity!*

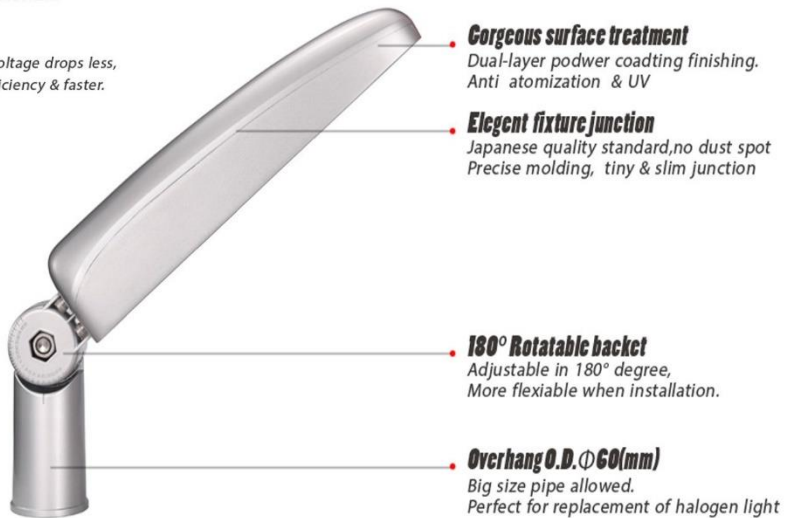
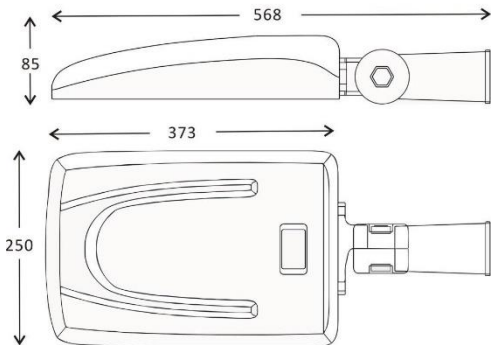


**Invisible screws**  
Finishing as an artwork.  
IP65 Waterproof. LM82 Standard.

**Philips LED 3030 72Pcs**  
Lower current, higher efficiency >150lm/W  
30W 4200lm, Replace 50W normal desings

**Male + Female MC4 Plugs**  
Directly to MC4 of 18V solar panel  
Fast, Simple, stable connection.

**2.5MM<sup>2</sup> solar wires**  
Big size cable, ensure voltage drops less,  
Charging with more efficiency & faster.



**Gorgeous surface treatment**  
Dual-layer powder coating finishing.  
Anti atomization & UV

**Elegant fixture junction**  
Japanese quality standard, no dust spot  
Precise molding, tiny & slim junction

**180° Rotatable basket**  
Adjustable in 180° degree,  
More flexible when installation.

**Overhang O.D. Ø60(mm)**  
Big size pipe allowed.  
Perfect for replacement of halogen light



**Smooth & round shape**  
Friendly design without "thorn" feeling.  
Flow shape design.

**Water channel design**  
Water can flow quickly and be able to  
clean the surface when there's dust.

**Lithium Battery inside**  
Long lifetime, 1000 Cycles lithium battery  
inside, up to 686WH Max allowed to put.

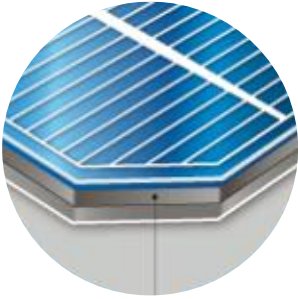
**Digital display for position**  
Precise number mark for rotatable angle.  
Clear & quick to adjust light position.

**Zigzag design for lock**  
Best performance to fix light position  
Never change angle. can load 70Kg max.

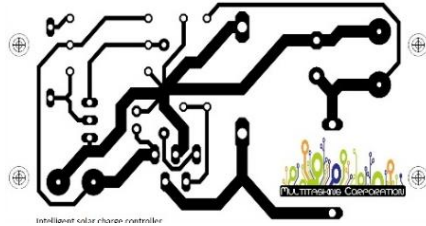


[www.senslights.com](http://www.senslights.com)  
[sales@senslights.com](mailto:sales@senslights.com)

## Quality Certification Multitasking Corporation test report



Multitask Solar Panel



Intelligent Solar controller



SensLights LED Chip



Energy saving rating



Green Energy Products



Green & Eco Friendly Products



LED chip bright and Lumen testing



Quality Standard



No Wiring No electricity!



Solar Powered Products

