

SensLights Model Specification	SLL 1229 B Ceiling Mount Sensor
Power Supply	AC 100V~240V
Load	1200W (220-240V/AC)(resister-load) or 400W fluorescent load
Power Consumption	0.45W(static 0.1W)
Sensing Angle	25° C < 360 degrees
Sensing Distance	25° C < 10 meters
Off Delay	Approx. 10~12 sec., 5 sec., inaction after light off
Illumination	20lux~2000lux
Preparation	After electrifying up to the light flushes 3 times
Measurement	10*4.5 CM(Round)
Weight	130g
Wiring	2IN / 2OUT
Installation height	1.5-3.5m
Humidity	<93% HR
Detection Motion Speed	0.6-1.5m/s
Illumination Location	Gate, backyard, garage, stairs, balcony, fence gate
Notes	1.Avoid sunshine or being against draft outlet of air-con and vent for the installation location. 2.Avoid humidity.



SLL1229B The user manual of PIR sensor

SensLights

The product is a new saving-energy switch, it adopts good sensitivity detector, integrated circuit and SMT. It gathers automatism, convenient safe, saving-energy and practical functions. Three detectors inside compose a wide range detection field, it utilizes the infrared energy from human as control-signal source, it can start the load at once when one enters detection field. It can identify day and night automatically. It is easy to install and used widely, possessing the functions of power show and detecting show.



SPECIFICAITONS:

Power source: 220V/AC-240V/AC Power frequency: 50HZ

Time –delay: 10sec~12min Detection angle: 360° (ceiling installation)

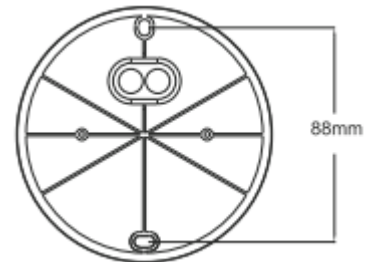
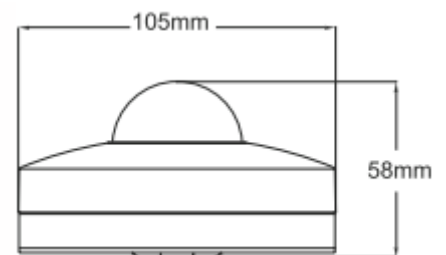
Ambient light: 20lux~2000lux Installation height: 2.5~3.5m

Working temperature: -10~+40°C adjust manually: 3m~10m

Rated load: incandescence lamp 1200W.max (220V/AC)

Sensor's LED:

1. It always light after switch on power, and be off after the unit enter working state
2. It light once when the unit receives sensing signal.



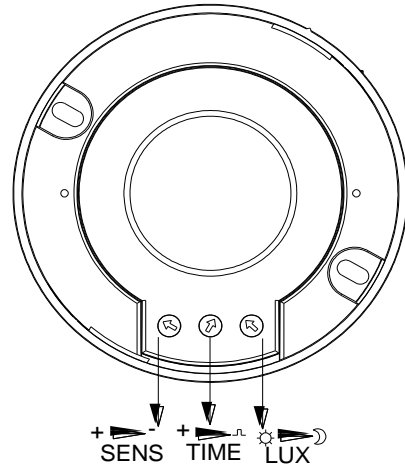
FUNCTION:

You can manually adjust the Time-delay, Sensitivity and light control (For detail: see 1.knob setting); it is very easy to use. Install Sensor at 2.5~3.5m position on the wall (For detail: see 3. installation instruction) and connect the wire according to the 2. Connection figure. Switch on power, after about 1 minute the unit enter stable working state. Here please turn TIME knob to the position close to minimum, and turn LUX to sun for testing. If it works normally, turn the TIME knob to the minimum" IMPULSE" position(). When it senses again, the controlled lamp will be turned on and off regularly. If the above tests go through, then select the time, light control and sensitivity to your need. So its installation is ok.

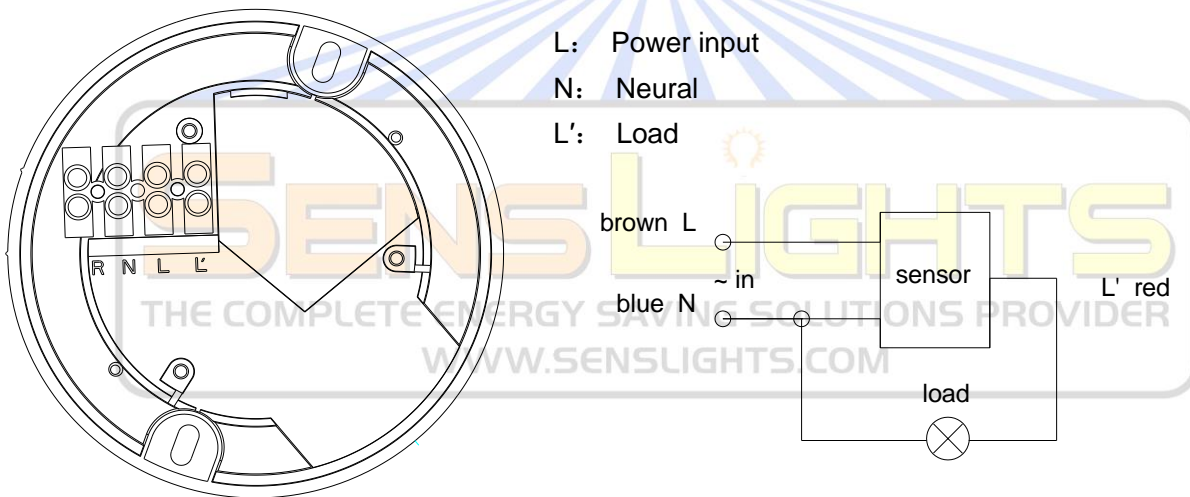


1. Knob setting

- ① SENS: Adjust detection distance. Turn clockwise to increase it and turn anti-clockwise to decrease it. It is 3m when turn to mini, and it is 12m when turn to max.
- ② TIME: Adjust time delay of load work. Turn clockwise to increase it and turn anti-clockwise to decrease it. The time delay is about 12min when turn to max. It is in impulse mode when turn to mini. In impulse mode if you want turn to short time mode turn anti-clockwise a little when LED blink three times is ok.
- ③ LUX: Adjust working light. Turn clockwise to increase it and turn anti-clockwise to decrease it. When turn to mini, it will only work below the ambient light about 20lux, when turn to max, it can work any ambient light.



2. Connection figure



3. SensLights Sensor Installation instruction

Before installing switch off power;

Rotate top cover counterclockwise and take off it, tighten off the screws fixing bottom cover;

Install the bottom cover on selected position with screw(like①);

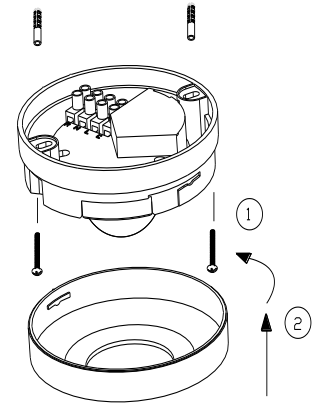
According to the connection wire figure connect the power wire and load wire into the connection line column in sensor;

Button top cover on sensor and rotate it tighten clockwise (like②) , the installing finished.



NOTES:

- Should be installed by electrician or experienced man.
- Avoid installing it on the unrest objects
- There shouldn't be hindrance and moving object in front of the detection window effecting detection.
- Avoid installing it near air temperature alteration zones such as air condition, central heating, etc.
- Considering your safety, please don't open the cover when you find the hitch after installation.
- If there is difference between product and instruction, please refer to product mainly.



SOME PROBLEM AND SOLVED WAY:

- The load don't work:
 - a. Please check the power and load connect is correct.
 - b. Check if the load is good.
 - c. Check if the show lamp accelerates its speed after detecting.
 - d. Check if the working light corresponds to the ambient light.
- The sensitivity is poor
 - a. Please check if there is hinder in front of the detection window to effect receiving the signals.
 - b. Please check if the ambient temperature is too high.
 - c. Please check if the signals source is in the detection fields.
 - d. Please check if the installation height corresponds to the height showed in the instruction.
 - e. Please check if the moving orientation is correct.
- The sensor can't shut the load automatically.
 - a. Check if there are continual signals in the detection fields.
 - b. Check if the time delay is set to the longest.
 - c. Check if the power corresponds to the instruction.
 - d. Check if the temperature change obviously nears the sensor, such as air condition or central heating etc.

