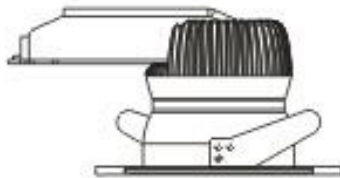
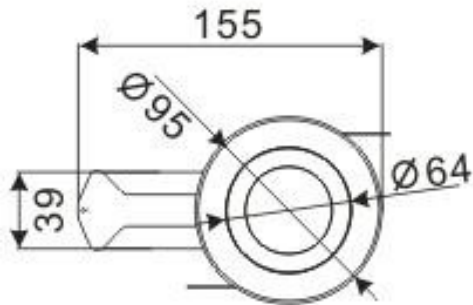


SLED BF03402



Model No.	SLED BF0340
LED Type	CREE MCE
LED Q'TY.	1
Beam Angle	30°/60°
Minimum luminous flux(lm)	530
Voltage	220~240V
LED Watt	10W
Environmental Temperature	- 20°C~60°C
Environmental Humidity	0%-95%
Safety Class	II
Safety Type	IP20
Material	Aluminium
Driver	Exterior incl

