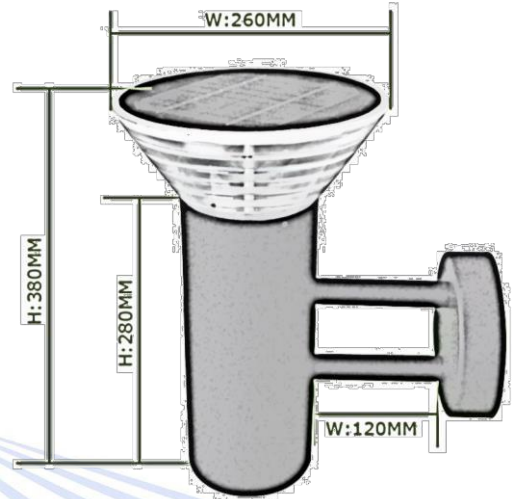


# SLDY0010W

No Wiring .... No electricity!



Product name: Solar Powered Garden wall Lamp

**SLDY0010W**

Housing Material	Stainless Steel + PC / Aluminum + PC
Height	380mm
Body Color	Black (any color can make)
Solar Panel	4W high-efficiency monocrystalline PV module
Battery	Fully sealed deep cycle free maintenance type
Power Storage	6V/4.5AH solar special lead-acid battery
Controller	Intelligent controller:light/time intelligent control, PWM mode; waterproof, IP65
LED Source	36pcs high brightness LED
LED Type	φ 5 LEDs
Lumen Flux	252-288 lm
LED colors	white/warm white etc
Average Life (hrs)	35000-50000

No Wiring  
No electricity



[www.senslights.com](http://www.senslights.com)

Email: [info@senslights.com](mailto:info@senslights.com)

# SLDY0010W



Average operation time	10--12 hrs/day
Color Temperature:	2700-6500K
Charging time	4 hours
Working time	10-12hours,battery capacity providing 2-3continuous cloudy or rainy days back up
Temperature Range	-40 -- +80 Degree
Protection	IP65
Packing	with foamed plastic inside to protect solar panel, pole, base from scar, 5mm solid paper box

## No Wiring .... No electricity!

100% solar powered, No wiring, Easy installation, save money, energy and human resources, Maintenance free, Easily moved to another desired location.

### Detail Size



No Wiring  
No electricity



[www.senslights.com](http://www.senslights.com)

Email: [info@senslights.com](mailto:info@senslights.com)



## No Wiring .... No electricity!

### 1. Maintenance / Cleaning

Switch off the luminaire before maintenance and cleaning.

Repairs should only be carried out by qualified persons and using genuine spare parts. Inappropriate repairing could cause significant danger.

WARNING: The use of any accessory not specified in this manual may present a risk of personal injury.

Cleaning of solar panel in summer / winter

Changing rechargeable battery

Long-time storage (exposure to light, charge/discharge cycle)

If you need any support please contact: [support@senslights.com](mailto:support@senslights.com)

### 2. Others (Service, Repairing, Guarantee, etc ...)

-Have your product repaired by a qualified person

This electric product is in accordance with the relevant safety requirements. Repairs should only be carried out by qualified persons using original spare parts, otherwise this may result in considerable danger to the user.

- Please contact the SensLights store which you bought the product for after sale services if any. Or contact: [support@senslights.com](mailto:support@senslights.com)



No Wiring  
No electricity

